

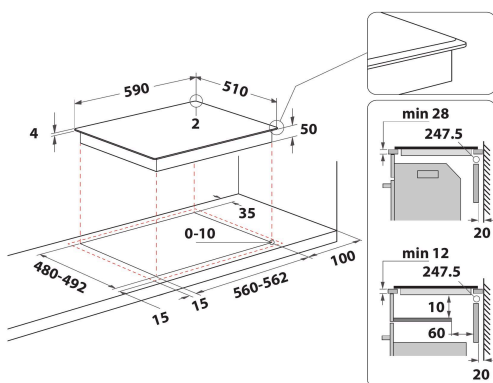
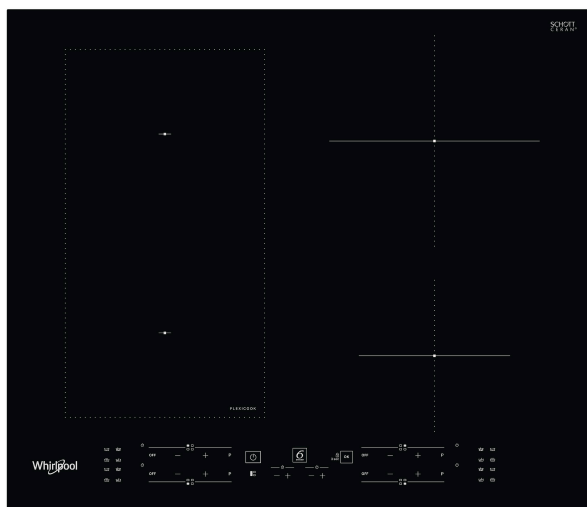
WL B1160 BF

12NC: 859991572120

GTIN (EAN) code: 8003437238178

Whirlpool

SENSING THE DIFFERENCE



MAIN FEATURES

Product group	Hob
Construction type	Built-in
Type of control	Electronic
Type of control settings	-
Number of gas burners	0
Number of electric cooking zones	4
Number of electric plates	0
Number of radiant plates	0
Number of halogen plates	0
Number of induction plates	4
Number of electric warming zones	0
Location of control panel	Front
Basic surface material	Glass
Main colour of product	Černá
Electrical connection rating (W)	7200
Gas connection rating (W)	0
Gas type	N/A
Current (A)	31,3
Voltage (V)	220-240
Frequency (Hz)	50/60
Length of Electrical Supply Cord (cm)	120
Plug type	Ne
Gas connection	N/A
Width of the product	590
Height of the product	54
Depth of the product	510
Minimum niche height	28
Minimum niche width	560
Niche depth	480
Net weight (kg)	9.7
Automatic programmes	Ano

TECHNICAL FEATURES

Power on indicator	Ano
Number of indicators	4
Type of regulation	Inductor
Type of lid	Without
Residual heat indicator	Separate
Main on/off switch	Ano
Safety device	-
Timer	Ano

ENERGETICKÝ ŠTÍTEK

Energy input

Electric