

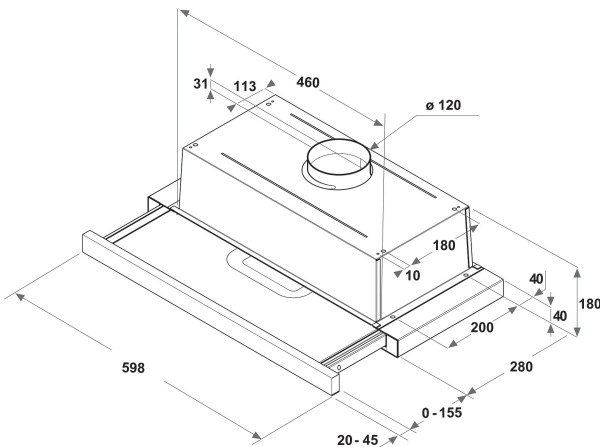
AKR 749/1 IX

12NC: 859991551230

GTIN (EAN) code: 8003437233678

Whirlpool

SENSING THE DIFFERENCE



MAIN FEATURES

Product group	SPORÁKOVÉ ODSAVAČE PAR
Colour body	Grey
Material body	Stainless steel
Colour chimney	N/A
Material chimney	N/A
Typology	Pull-out
Installation type	Built-in
Type of control	Mechanical
Type of control settings	-
Decor panel options	N/A
Motor location	Integrated motor in hood body
Operating Mode	Convertible
Electrical connection rating (W)	121
Current (A)	0,5
Voltage (V)	220-240
Frequency (Hz)	50/60
Length of Electrical Supply Cord (cm)	150
Plug type	Schuko
Chimney height (mm)	188
Height of product, without chimney (mm)	211
Height of the product	180
Width of the product	599
Depth of the product	300
Minimum niche height	0
Minimum niche width	0
Niche depth	0
Net weight (kg)	6

TECHNICAL FEATURES

Type of manual control devices	Buttons
Type of automatic control devices	-
Number of motors	1
Total power of the motors (W)	115
Number of speed settings: boost option availability	3
Boost presence	Ne
Maximum output air extraction (m ³ /h)	304
Boost position air extraction (m ³ /h)	0
Maximum output recirculating air (m ³ /h)	125
Boost position output recirculating (m ³ /h)	0
Light Control Type	On/Off
Number of lights	2
Type of lamps used	LED
Total power of the lamps (W)	6
Diameter of air outlet (mm)	120
No-return airflow flap	Ne
Grease filter material	Washable aluminium
Odour filter	Ano

ENERGETICKÝ ŠTÍTEK

Sound power at min. speed (2010/30/EU)	46
Sound power at max. speed (2010/30/EU)	62
Noise level with boost position (dB(A) re 1 pW)	0